



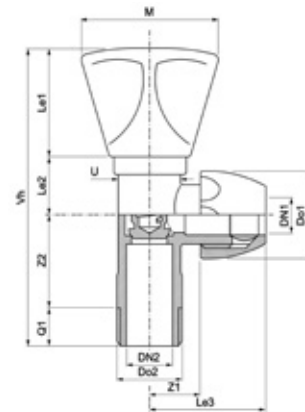
77 Angle valve



specification

- TW three point handle
- brass body
- includes rosette

Connection	Code	Total (kg)
1/2" x 1/2"	510045	0.24
1/2" x 3/8"	510047	0.20



Dimensions (mm)

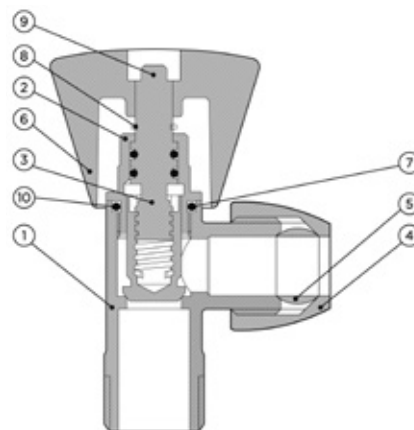
	DN1	DN2	Do1	Do2	Le1	Le2	Le3	M	Q1	U	Vh	Z1	Z2
1/2" x 1/2"	1/2"	1/2"	24.0	21.0	36.0	23.0	37.0	38.0	7.0	17.0	106.0	17.0	40.0
1/2" x 3/8"	1/2"	3/8"	24.0	21.0	36.0	23.0	37.0	38.0	7.0	17.0	106.0	17.0	40.0

Material specification

Nr	Component	Material
1	Body	Brass
2	Headwork	Brass
3	Stem	Brass
4	Compression nut	Brass
5	Compression olive	Brass
6	Handle	Zinc alloy
7	"O" ring	NBR
8	Circlip	Steel 65MN
9	Handle 'core'	Nylon
10	Washers	NBR

Maximum pressure conditions

Size	Max Pressure (bar)	Min/Max Temperature (°C)	Test Pressure Shell (bar)	Test Pressure Seat (bar)	Max Pressure (psi)	Min/Max Temperature (°F)	Test Pressure Shell (psi)	Test Pressure Seat (psi)
1/2"	10.0	4° + 120°F	15.0	11.0	145.0	39.2° + 248°F	217.5	159.5



Pressure & temperature ratings

