

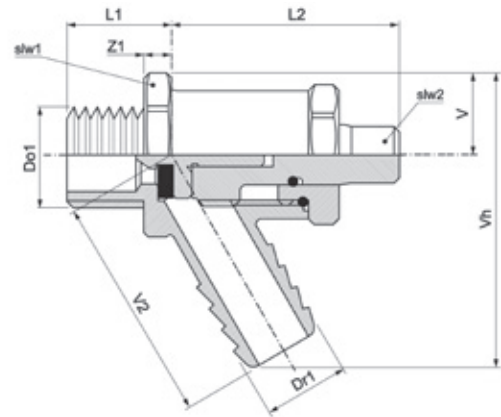
GM833 Draincock



specification

- bronze
- type A to BS 2879/2
- male taper thread to BS 21
- bronze (gunmetal) body

Connection	Code	Total (kg)
½"	542027	0.13
¾"	542028	0.26
1"	542029	0.60



Dimensions (mm)

	Do1	Dr1	DN1/DN2	L1	L2	slw1	slw2	slw3	V	V2	Vh	Z1
½"	½"	14.0	DN15	19.0	37.0	25.0	19.0	8.0	13.0	45.0	52.0	4.0
¾"	¾"	21.0	DN20	22.0	48.0	34.0	26.0	9.0	17.0	52.0	65.0	6.0
1"	1"	27.0	DN25	27.0	68.0	39.0	39.0	13.0	20.0	64.0	79.0	9.0

Material specification

Nr	Component	Material
1	Body	Bronze (Gunmetal)
2	Headwork	Brass
3	Spindle	Brass
4	Washer	EPDM
5	Spindle "O" ring	EPDM
6	Cap "O" ring	EPDM
7	LS cover	Brass

Maximum pressure conditions

Size	Max Pressure (bar)	Min/Max Temperature (°C)	Test Pressure Shell (bar)	Test Pressure Seat (bar)	Max Pressure (psi)	Min/Max Temperature (°F)	Test Pressure Shell (psi)	Test Pressure Seat (psi)
½" to 1"	20.0	-10° + 120°C	30.0	22.0	290.1	-14° + 248°F	435.1	319.1

