

Cepex Sales Folder

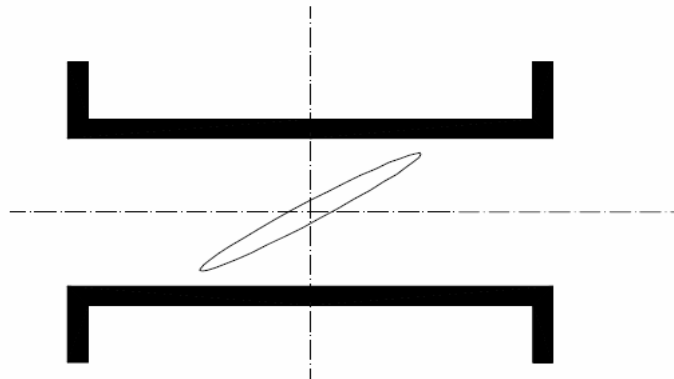
12/2006



05.s
Butterfly Valves
Standard Series

Introduction

- Butterfly valves are composed of a body and a disc within, which turns 90° on its own shaft, shutting down the flow according to the disc's position (longitudinally positioned or crossed to flow).
- Watertightness is assured by a gasket placed in the valve body.
- The valve is operated by a handle, provided with by a lock to fix it 0°, 90° or intermediate positions.
- They are installed to piping by flange adaptors and flanges, not taking too much space and can be open under pressure quite easily.
- Valve with a quarter turn of the handle (90°).



Advantages and disadvantages

- ✓ They show a low operation torque because of the balance supplied by the disc with the central shaft
 - ✓ Ideal for high diameters, to stand high speeds and for fluids with suspended particles
 - ✓ Take very low space in the system
 - ✓ Suitable for “on-off” applications or flow regulation
 - ✓ Installation by flanges which can be taken apart
 - ✓ Resistant to corrosion
 - ✓ Low weight
-
- ✗ The main disadvantage is that when opening it does not allow a full pass of the fluid (the disc width remains in the center) although the pressure loss is low
 - ✗ We must make sure the nuts are not to tighten in the flanges and always respect the tightening order recommended for its assembly

Butterfly Valves Standard Series









- The new valve is born after the need of renovation of the current range. It is a compact valve, made of polymers with high resistance to mechanical stress, temperature and chemical agents.

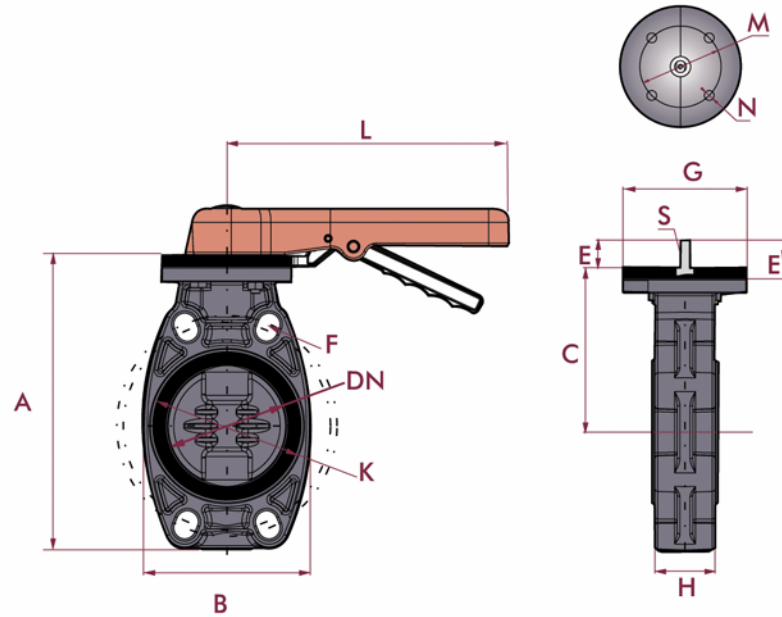
- Target markets: **Swimming pool & irrigation**

Dimensions and PN

- Range: from D63 (2") up to D225 (8")
- Working pressure at 20°C (73°F) water temperature:
 - D63 – D225 (2" - 8"): **PN 10 (150 psi)**

	Body Corps Cuerpo Corpo	Disc Papillon Compuerta Comporta	Rubber seal Garniture du papillon Junta compuerta Junta comporta	Shaft Axe Eje Eixo	Sizes Dimensions Medidas Dimensões	PN
Standard Series	PVC-U	PVC-U	EPDM Viton®	Zinc plated steel	D63 - D225 (2" - 8")	10 bar 150 psi
PP handle with locking device						
63 - 75	90	110	125 - 140	160	200 - 225	
						

Dimensions



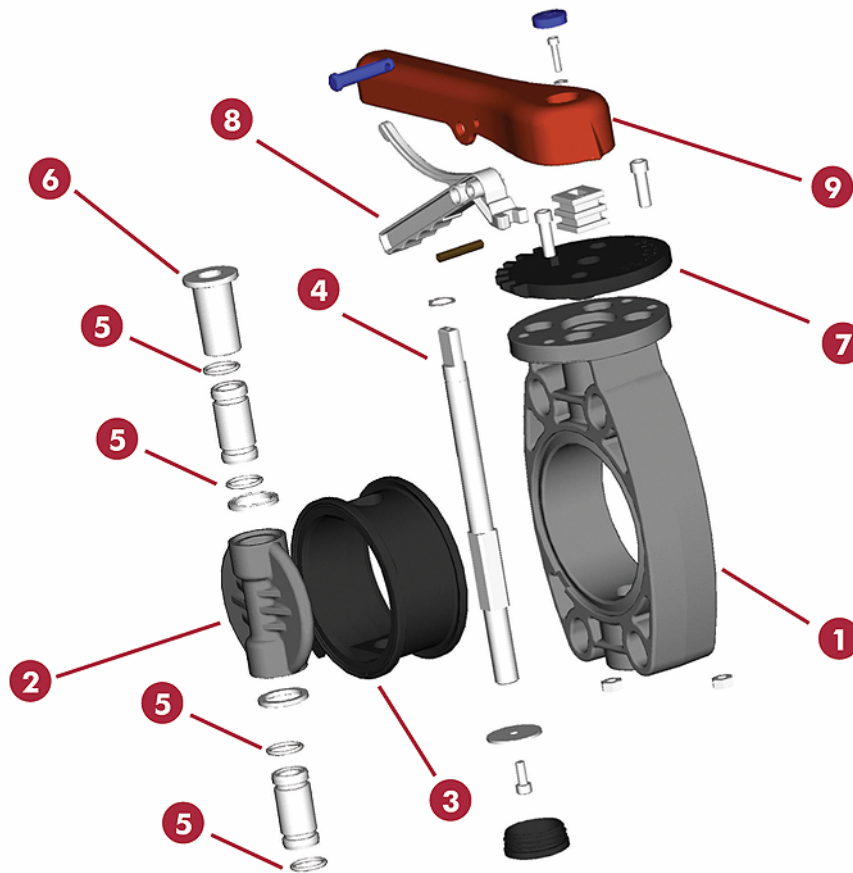
D	DN	A	B	C	E	F	G	H	K	L	M	N	E'	S	holes
63-75	65	201	135	120	40	18	112	48	125	220	70	9	35	10	4
90	80	232	122	136	40	19	112	52	169,5	245	70	9	35	12	4
110	100	255	145	148	40	19	112	59	191,5	245	70	9	35	16	4
125-140	125	284	175	164	40	22	112	66	215	320	70	9	35	20	4
160	150	314	209	180	40	24	112	72	240	320	70	9	35	20	4
200-225	200	378	248	217	50	23	136	73	298	391	102	11	47	26	4

Construction

- **Body**
 - Flange bolting compatible with ANSI/ASTM, ISO/DIN and BS
 - PVC-U
 - Non-wetted (no contact with fluid)
- **Disc**
 - PVC-U
- **Shaft**
 - Zinc plated steel
 - Non-Wetted (no contact with fluid)
- **O'rings**
 - Shaft o'rings (EPDM or Viton®)
 - Rubber seal (EPDM or Viton®)



Explosion



Partes

1. Body	PVC-U
2. Valve disc	PVC-U
3. Rubber seal	EPDM / Viton®
4. Shaft	Zinc plated steel
5. O'ring seal	EPDM / Viton®
6. Top bearing	PP-GF
7. Throttle plate	POM
8. Lever-lock	POM
9. Handle	PP-GF

Features and benefits

Features	Benefits
"Full" (all around) disc gasket	Maximum watertightness. Allows having a body totally isolated from fluid. Acts as a gasket for the flanged in both sides of the valve.
Installation by flanges	Easy dismantling and replacement of parts.
Double o-ring in the shaft	Higher isolation of the shaft from the fluid
Only plastic parts are in contact with the fluid.	Avoids corrosion
Antifriction disc gasket	Allow to obtain a low torque
Long ergonomic handle (high resistance)	
Handle with lock and throttle pad jagged	Allows to secure the selected position
Disc with high resistance to "wearing out"	Long-lasting life and can stand presence of abressive elements such as sand.
Light weight	Reduces the necessary effort for manipulation making much easier the installation and maintenance.

Body

- Body made in PVC-U. Offers a high mechanical and environmental resistance
- One piece body. Long life avoiding leaks.
- Compatible with any flange system (DIN, ASTM y JIS).



Operation

▪ Manual (handle)

- Ergonomic handle. Both, the handle and the throttle plate are made with thermoplastic material that offers an excellent resistance to the corrosion.

- The handle has seven positions (each 15°) and acts like a position indicator.

- The handle incorporates a security device with a simple lock to avoid unauthorized movements.



Disc and sealing

Disc

- New design. Guarantees a minimum pressure loss, minimizes turbulences and offers a low torque.
- Compuerta disponible en PVC-U.
- Alta resistencia al desgaste.

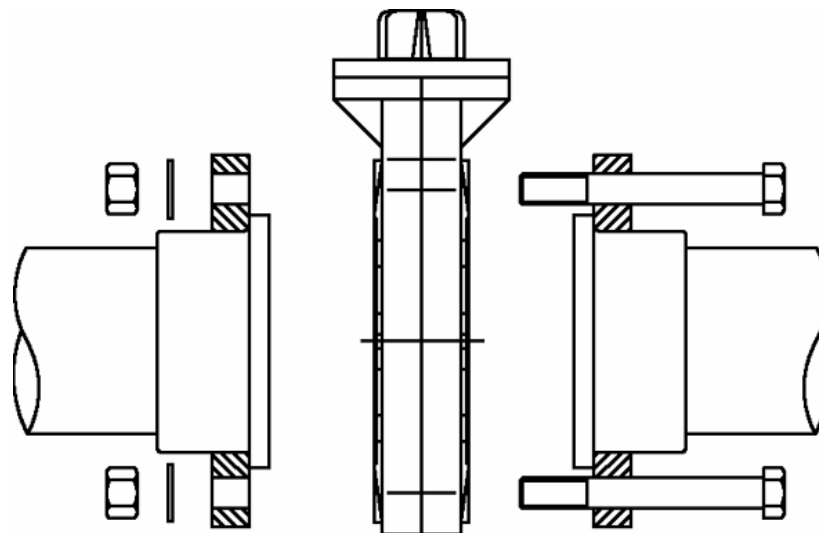
Gasket

- Full gasket (EPDM or Viton®).
- Anti-friction design reduces torque.



Installation

- Between flanges. No need to use flat gaskets as they are incorporated in the body.
- Handle disassembly: loosen bolt under the cap, press lever-lock and separate the handle from the shaft.
- Disc gasket replacement: take handle and throttle pad out, open valve body and separate gasket from the shaft.



Quality

- **Controls on assembled Valves:**

- Pressure
- Watertightness
- Packaging
- Traceability

- **Watertightness test:**

- Performed on 100% of Cepex valves.
- Air injected within the valve by a microfugometer.
- The valve passes the test if there are no leaks.

Quality



Watertightness test

Assembly



Assembly line

Applications

- Industry



Michelin Plant (China)



Industrial water treatment

Applications

- Water treatment



2003 World Swimming Championships

Applications

- Irrigation



Irrigation facility in Almeria (Spain)



Pivot Application

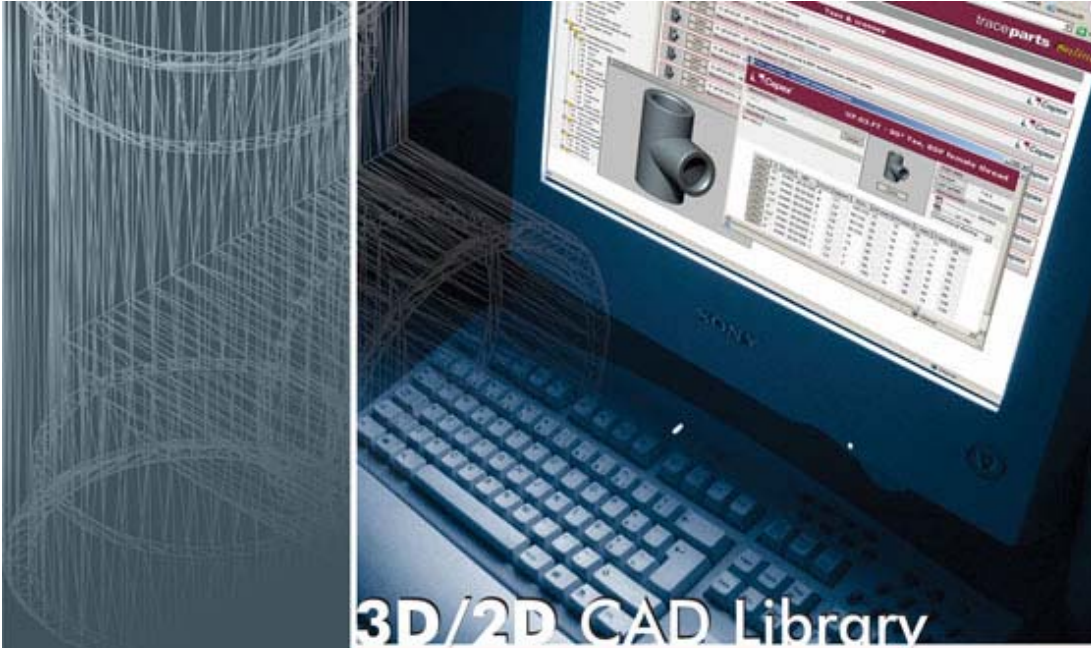


Pump Station Application

CAD

▪ 3D/2D Library


- Free download of 3D/2D models at www.cepex.com.
- Whole Cepex range available.
- Multiformat.
- Multi-language.



3D/2D CAD Library

Cepex presents their complete product range as 3D/2D files available for download and compatible with all the main CAD software in the world:

AutoCAD, CATIA, Inventor, Mechanical Desktop, Pro/ENGINEER, Solid Edge, SolidWorks, thinkdesign, TopSolid, ...



Trace Parts Online - Microsoft Internet Explorer

http://www.traceparts.com/online/es/Logged/index.asp?h=3

CEPEX traceparts online

búsqueda búsqueda

Advanced search

Válvulas mariposa reductor manual

UP. 80. IRM1 - Válvula de mariposa con reductor manual, Cuerpo en PVC-U, Opción 2: sin torreta, Juntas EPDM, Eje en acero inoxidable (AISI 316)

Fabricante: CEPEX

Part selection - Microsoft Internet Explorer

UP. 84. IRM1 - Válvula de mariposa con reductor manual, Cuerpo en PP-GR, Compuerta en PVC-U (PVC-C, PPH, PVDF o ABS bajo pedido), Opción 2: sin torreta, Juntas EPDM, Eje en acero inoxidable (AISI 630)
Step 1/1

Fabricante: CEPEX

Especialistas en conducción de fluidos

Información de pieza

Selección	Version	1.0.2
Selección	Última actualización	10/06/2005

documentos

- Página del catálogo (68 Kb)
- Photo (23 Kb)
- Dibujo dimensional ...

Selección	D (mm)	CODE	REF.	DN (mm)	PN (bar)	A (mm)	E (mm)	C (mm)	D (mm)
Selección	315	32738	05 84 315 IRM	300 - 12"	10	544	310	616	578

© Copyright 2001-2005 Trace Parts S.A. - Todo el derecho reservado.

http://www.traceparts.com/online/es/Logged/ShowPicture.asp?1...

Listo Internet

Cepex Sales Folder

12/2006



- 01 PVC Pressure Fittings
- 02 PP Compression Fittings
- 03.s Ball Valves [STD] Series **NEW!**
- 03.i Ball Valves [IND] Series **NEW!**
- 03 Ball Valves
- 04 Check Valves
- 05.s Butterfly Valves Standard Series NEW!**
- 05.i Butterfly Valves Industrial Series **NEW!**
- 05.c Butterfly Valves Classic Series
- 06 Valve Boxes Pro Series
- 07 PE 100 Fittings
- 08 PVC Flexible Pipe
- 09 Actuated Valves
- 10 Hydraulic Valves
- 11 Filtration

- A Plastics Market
- B Fluid Dynamics
- C Plastic Types
- D Union Types
- E Quality Tests

COPYRIGHT © CEPEX HOLDING, S.A.

Av. Ramon Ciurans, 40
Pol. Ind. Congost - Parcel·la 6
08530 La Garriga (Barcelona) Spain
cepex@cepex.com
www.cepex.com