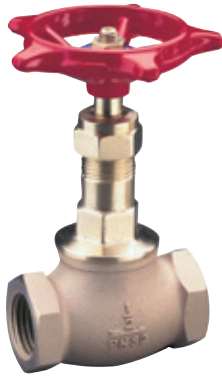


1031 Globe valve

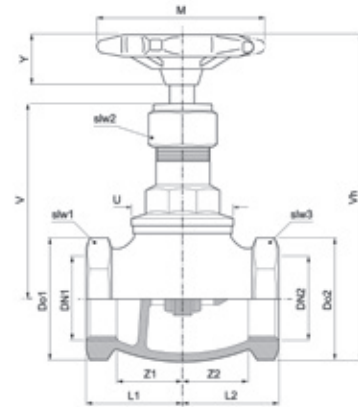


specification

- metal seat disc
- female ends
- gland packed
- BS 5154 PN32 series B
- bronze (gunmetal) body

DN	Connection	ISO7-1Rc (taper)	ISO 228 (PT)	Total (kg)	Cv	Kv
DN15	½"	112007	112047	0.39	2.30	2.00
DN20	¾"	112008	112048	0.55	5.90	5.00
DN25	1"	112009	112049	0.87	11.70	10.00
DN32	1 ¼"	112010	112050	1.45	18.70	16.00
DN40	1 ½"	112011	112051	1.83	26.90	23.00
DN50	2"	112012	112052	2.61	49.10	42.00

\*Cv - flow rate in US GPM at a pressure drop of 1 psi.  
 \*Kv - flow rate in m3 per hour at a pressure drop of 1 bar.



Dimensions (mm)

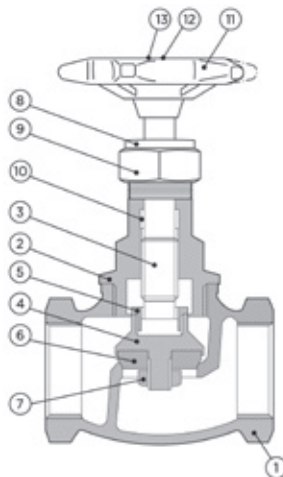
	Do1/Do2	DN1/DN2	L1/L2	M	slw1/sl3	slw2	U	V	Vh	Y	Z1/Z2
DN15	29.0	½"	29.0	70.0	29.0	19.0	31.0	57.0	110.0	17.0	19.0
DN20	36.0	¾"	33.0	70.0	36.0	19.0	33.0	62.0	118.0	17.0	22.0
DN25	42.0	1"	39.0	85.0	42.0	24.0	40.0	75.0	135.0	20.0	27.0
DN32	51.0	1 ¼"	45.0	85.0	51.0	28.0	49.0	98.0	164.0	23.0	30.0
DN40	57.0	1 ½"	50.0	105.0	57.0	32.0	57.0	119.0	188.0	26.0	35.0
DN50	72.0	2"	61.0	105.0	72.0	32.0	69.0	126.0	206.0	26.0	47.0

Material specification

Nr	Component	Material
1	Body	Bronze (Gunmetal)
2	Bonnet	Forged brass
3	Stem	Brass bar
4	Disc holder	Brass bar
5	Disc ring	Brass bar
6	Disc	Glass filled PTFE
7	Disc nut	Brass bar
8	Gland	Brass bar
9	Gland nut	Brass bar
10	Packing	PTFE
11	Handwheel	Aluminium
12	Handwheel nut	Brass bar
13	Rating disc	Aluminium

Maximum pressure conditions

Size	Max Pressure (bar)	Min/Max Temperature (°C)	Test Pressure Shell (bar)	Test Pressure Seat (bar)	Max Pressure (psi)	Min/Max Temperature (°F)	Test Pressure Shell (psi)	Test Pressure Seat (psi)
½" to 2"	20.0	-10°C + 170°C	30.0	24.0	290.0	14°F + 388°F	435.2	348.1



Pressure equipment directive category

All sizes classified SEP

Pressure & temperature ratings

