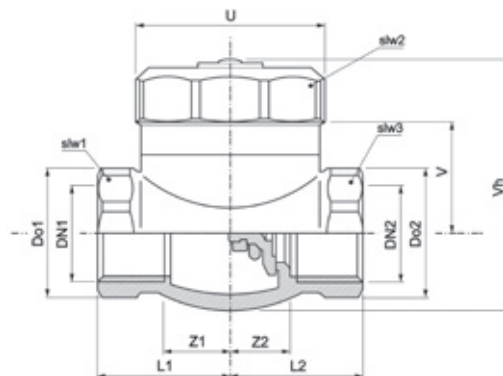


1062 Swing check valve (2 x female thread)



specification

- BS5154 PN25 series B
- horizontal or vertical fixing (upward flow only)
- metal seat and swing type metal disc
- body arrow indicates direction of flow
- brass body
- taper threaded BS EN 10226 (ISO 7-1)
- ANSI (NPT) American taper thread (AT)



DN	Connection	ISO7-1 Rc (taper)	ISO 288 (PT) parallel	Total (kg)
DN15	½"	124007	124013	0.27
DN20	¾"	124008	124014	0.48
DN25	1"	124009	124015	0.72

Flow rates m³/h

Size	Flow l/s	Kv m ³ /h
½"	0.04	1.80
	0.10	3.70
	0.20	5.10
	0.40	5.70
¾"	0.04	2.70
	0.10	5.50
	0.40	13.60
	1.00	15.30
1"	0.01	7.70
	0.20	13.90
	0.30	18.40
	1.00	25.30

*Kv - flow rate in m3 per hour at a pressure drop of 1 bar.

MINIMUM OPERATING CONDITIONS Sizes ½" to 1" require 0.5 bar (7.25 psi) minimum line pressure with a defferential pressure of 1 to 1.5 psi to allow the valve to function

Dimensions (mm)

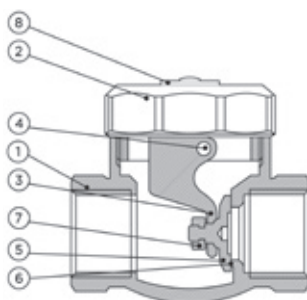
	Do1/Do2	DN1/DN2	L1/L2	slw1/slsw3	slw2	U	V	Vh	Z1/Z2
DN15	27.0	½"	29.0	27.0	38.0	41.0	34.0	49.0	15.0
DN20	33.0	¾"	36.0	33.0	48.0	52.0	39.0	58.0	21.0
DN25	40.0	1"	42.0	40.0	57.0	62.0	50.0	74.0	24.0

Material specification

Nr	Component	Material
1	Body	Forged brass (½" to ¾") Gravity die cast brass (1")
2	Cap	Forged brass
3	Swinger	Brass bar
4	Swinger pin	Brass bar
5	Bush	Brass bar
6	Valve	Brass bar
7	Nut	Brass bar
8	Rating disc	Aluminium

Maximum pressure conditions

Size	Max Pressure (bar)	Min/Max Temperature (°C)	Test Pressure Shell (bar)	Test Pressure Seat (bar)	Max Pressure (psi)	Min/Max Temperature (°F)	Test Pressure Shell (psi)	Test Pressure Seat (psi)
½" to 1"	25.0	-10°C + 186°C	37.5	27.5	362.6	14°F + 366.8°F	543.9	398.9



Pressure equipment directive category

All sizes classified SEP

Pressure & temperature ratings

