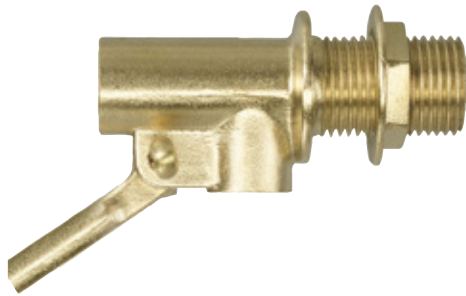




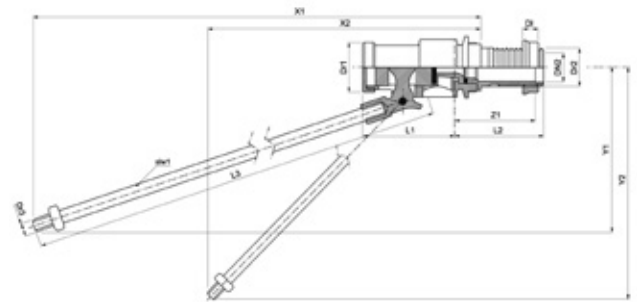
856 MOH Float valve



specification

- Portsmouth pattern
- * low pressure
- brass body

DN	Connection	ISO7-Rc taper	Total (kg)
DN8	3/8"	519006	0.23
DN15	1/2"	519007	0.24
DN20	3/4"	519008	0.41
DN15 856-Z	1/2"	519017	0.26

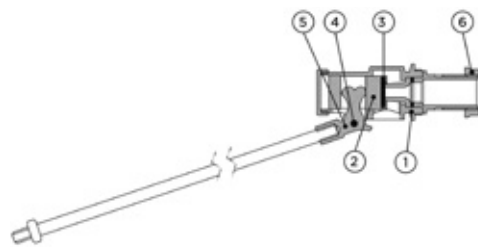


Dimensions (mm)

	D	DN1/DN2	Dr1	Dr2	Dr3	L1	L2	L3	slw1	X1	X2	Y1	Y2
DN8	23.0	3/8"	23.0	21.0	7.0	48.0	64.0	259.0	13.0	284.0	285.0	138.0	165.0
DN15	23.0	1/2"	23.0	21.0	7.0	48.0	64.0	259.0	13.0	284.0	285.0	138.0	165.0
DN20	30.0	3/4"	35.0	26.0	7.0	58.0	77.0	295.0	13.0	326.0	304.0	157.0	260.0
DN15 856-Z	23.0	1/2"	23.0	21.0	7.0	48.0	64.0	259.0	13.0	284.0	285.0	138.0	165.0

Material specification

Nr	Component	Material
1	Body	Brass
2	Piston	Brass / Nylon
3	Piston washer	NBR
4	Cotter pin	Brass
5	Lever	Brass
6	Backnut	Brass



Pressure & temperature ratings

