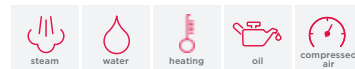
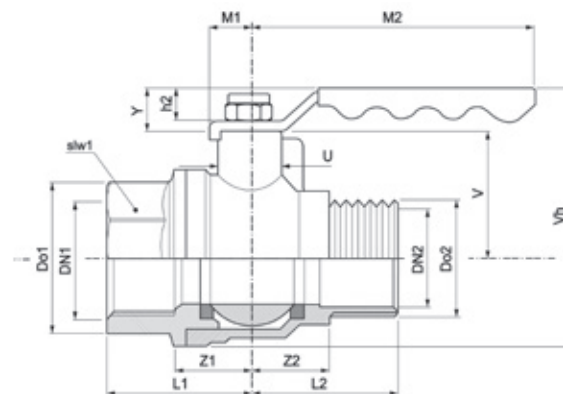


PB500MF Ball valve



specification

- all sizes rated PN25
- full bore
- quarter turn operation
- blow-out and vandal-proof assembly
- brass body
- red lever handle
- 3/8" to 2" sizes
- PTFE ball seals
- FPM "O" ring stem seal
- BS2779 parallel thread (PT)



DN	Connection	Code	Total (kg)	Cv	Kv
DN10	3/8"	242150	0.16	11.0	9.4
DN15	1/2"	242151	0.22	19.7	17.0
DN20	3/4"	252152	0.38	48.0	41.0
DN25	1"	242153	0.57	81.9	70.0
DN32	1 1/4"	242154	0.89	141.6	121.0
DN40	1 1/2"	242155	1.27	234.0	200.0
DN50	2"	242156	2.07	341.6	292.0

*Cv - flow rate in US GPM at a pressure drop of 1 psi.
 *Kv - flow rate in m3 per hour at a pressure drop of 1 bar.

Dimensions (mm)

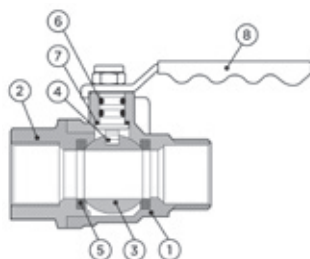
	Do1	Do2	DN1/DN2	h2	L1/L2	M1	M2	slw1	U	V	Vh	Y	Z1/Z2
DN10	29.0	16.0	3/8"	18.0	24.0	9.0	84.0	25.0	9.0	16.0	53.0	21.0	15.0
DN15	35.0	20.0	1/2"	18.0	30.0	10.0	94.0	31.0	10.0	20.0	61.0	21.0	18.0
DN20	42.0	25.0	3/4"	18.0	34.0	10.0	103.0	36.0	11.0	31.0	76.0	21.0	20.0
DN25	49.0	32.0	1"	19.0	40.0	10.0	115.0	42.0	11.0	35.0	85.0	22.0	24.0
DN32	58.0	40.0	1 1/4"	19.0	48.0	11.0	130.0	50.0	12.0	42.0	97.0	22.0	29.0
DN40	69.0	48.0	1 1/2"	20.0	50.0	11.0	135.0	60.0	13.0	57.0	119.0	23.0	30.0
DN50	83.0	58.0	2"	20.0	62.0	12.0	159.0	71.0	15.0	67.0	137.0	23.0	37.0

Material specification

Nr	Component	Material
1	Body, chrome plated	Brass
2	End piece, chrome plated	Brass
3	Ball, chrome plated	Brass
4	Stem	Brass bar
5	Seats	PTFE
6	Friction washer	PTFE
7	"O" ring seats	FPM
8	Lever handle	PVC insulated steel

Maximum pressure conditions

Size	Max Pressure (bar)	Min/Max Temperature (°C)	Test Pressure Shell (bar)	Test Pressure Seat (bar)	Max Pressure (psi)	Min/Max Temperature (°F)	Test Pressure Shell (psi)	Test Pressure Seat (psi)
3/8" to 2"	25.0	-10°C + 150°C	37.5	27.5	362.6	14°F + 302°F	543.9	398.9



Pressure equipment directive category

Compressed air applications 3/8" - 1" SEP
 1 1/4" - 2" CAT1
 All other applications 3/8" - 2" SEP

Pressure & temperature ratings

