

V906G Butterfly valve (2 x flange)



specification

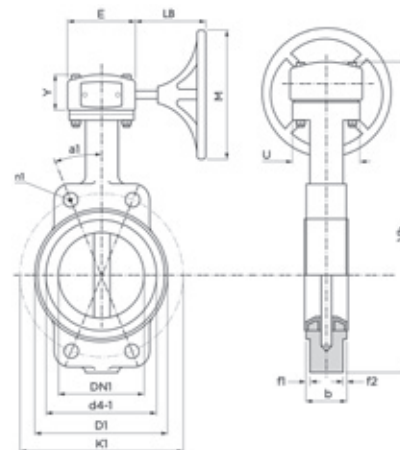
- all sizes rated PN16
- stainless steel disc and stem
- quarter turn
- geared
- EPDM liner
- ductile iron body
- semi lugged to BS EN 593:2004
- face to face dimensions to BS EN 558:2008

DN	Connection	Code	Weight (kg)	Cv	Kv
DN250	10"	15322	31.5	7309.93	6247.8
DN300	12"	15323	50.5	11293.43	9652.5

\*Geared wheel operation, V906G

\*Cv - flow rate in US GPM at a pressure drop of 1 psi.

\*Kv - flow rate in m3 per hour at a pressure drop of 1 bar.



Dimensions (mm)

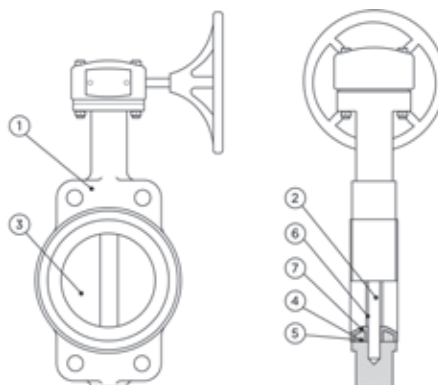
	a1	b	d4-1	D1	DN1	E	f1/f2	K1	LB	M	n1	U	Vh	Y
DN250	68.0	68.0	302.0	355.0	DN250	153.0	3.0	347.0	177.0	270.0	4.0	125.0	778.0	120.0
DN300	68.0	78.0	360.0	410.0	DN300	161.0	4.0	403.0	169.0	270.0	4.0	125.0	841.0	120.0

Material specification

Nr	Component	Material
1	Body	Ductile iron
2	Shaft	Stainless steel
3	Disc	Stainless steel
4	Bushes up to 100mm	PTFE
5	Bushes up to 125mm	Bronze (Gunmetal)
6	"O" ring	EPDM
7	Liner	EPDM

Maximum pressure conditions

Size	Max Pressure (bar)	Min/Max Temperature (°C)	Test Pressure Shell (bar)	Test Pressure Seat (bar)	Max Pressure (psi)	Min/Max Temperature (°F)	Test Pressure Shell (psi)	Test Pressure Seat (psi)
DN250 to DN300	16.0	-10°C + 120°C	24.0	17.5	232.1	14°F + 248°F	348.1	253.8



Pressure equipment directive category

All sizes classified SEP

Pressure & temperature ratings

