

# V953 Metering station

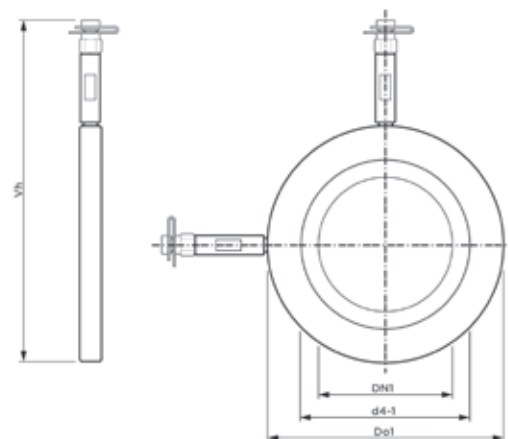


## specification

- all sizes PN16
- 304 stainless steel
- complete with test points and extensions
- flow measurement function
- stainless steel body
- meets BS7350
- used with V952 commissioning valve

DN	Connection for fitting between BS end 1092-2 flanges	Code	Total (kg)	Cv	Kv
DN50	2"	15540	1.4	55.58	47.5
DN65	2 1/2"	15541	1.9	117.82	100.7
DN80	3"	15542	2.2	156.55	133.8
DN100	4"	15543	2.4	278.11	237.7
DN125	5"	15544	3.4	396.63	339.0
DN150	6"	15545	3.4	597.87	511.0
DN200	8"	15546	4.7	1003.86	858.0
DN250	10"	15547	6.1	1444.95	1235.0
DN300	12"	15548	7.6	2097.81	1793.0

\*Cv - flow rate in US GPM at a pressure drop of 1 psi.  
 \*Kv - flow rate in m3 per hour at a pressure drop of 1 bar.



### Dimensions (mm)

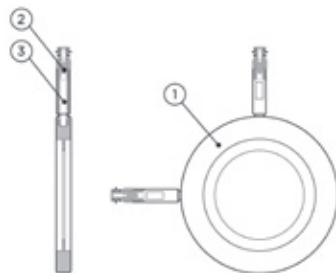
	DN1	Do1	d4-1	Vh
DN50	2"	109.0	65.0	164.0
DN65	2 1/2"	127.0	65.0	182.0
DN80	3"	142.0	65.0	195.0
DN100	4"	162.0	65.0	212.0
DN125	5"	192.0	73.0	237.0
DN150	6"	218.0	82.0	260.0
DN200	8"	273.0	91.0	307.0
DN250	10"	329.0	95.0	353.0
DN300	12"	384.0	110.0	401.0

### Material specification

Nr	Component	Material
1	Body	Stainless steel
2	Test point	DZR Brass
3	Extension	Stainless steel

### Maximum pressure conditions

Size	Maximum pressure conditions		Test Pressure		Max Pressure (psi)	Min/Max Temperature (°F)	Test Pressure	
	Max Pressure (bar)	Min/Max Temperature (°C)	Shell (bar)	Seat (bar)			Shell (psi)	Seat (psi)
DN50 to DN300	16.0	- 10°C + 120°C	24.0	17.5	232.0	14°F + 248°F	348.1	253.8



### Pressure equipment directive category

All sizes classified SEP